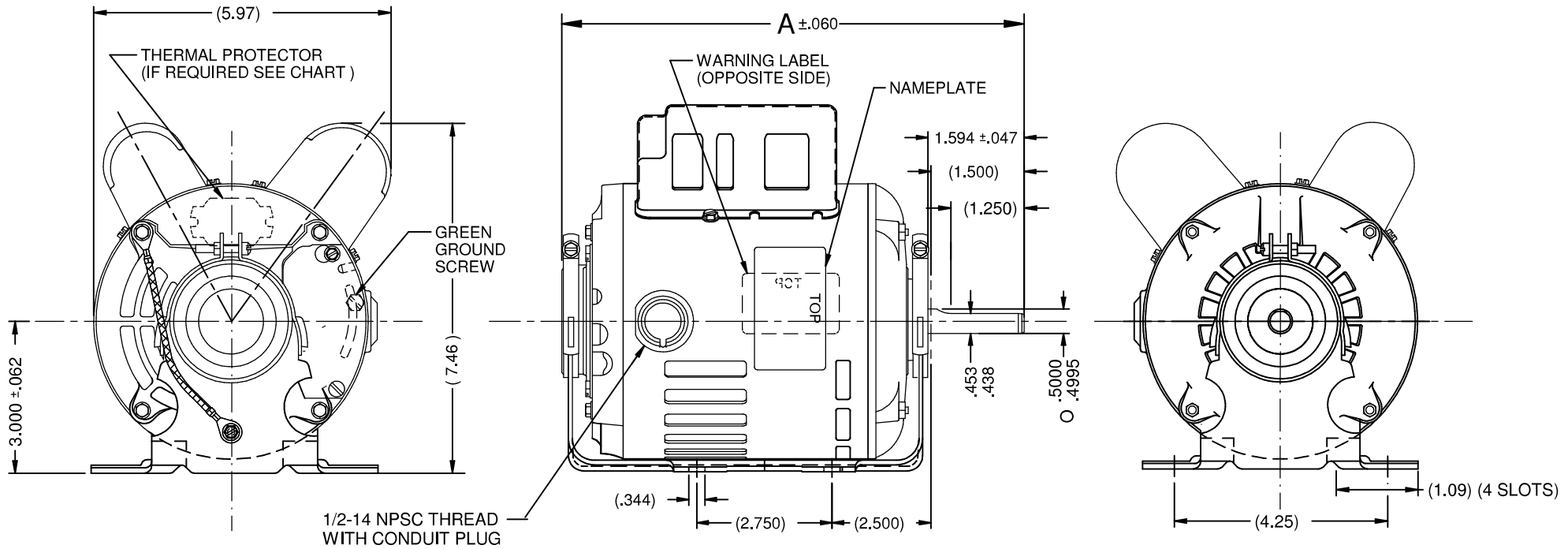




## Catalog #: D13CPA2P49

Model Number:	T055CRF1535012B
PRODUCT NAME:	.33 HP - ODP - 1725
PHASETYPE:	1_CAPACITOR START -
MOTOR ENCLOSURE:	ODP
HORSEPOWER:	.33
KILOWATTS:	0.3
POLES:	4
NUMBER SPEEDS:	1
RPM:	1725
HERTZ:	60
VOLTS PRIMARY:	115/230 V
VOLTS :	115
VOLTS 2:	230
FRME :	48
STATOR DIAMETER:	5.5
STACK:	1.75
MOUNTING:	RESILIENT BASE
MOTOR TYPE:	FHP
OPPOSITE END BEARING:	6203
SHAFT END BEARING:	6203
AMBIENT:	40
ROTATION:	CCW LEAD END
SERVICE FACTOR:	1.35
RUNCAPMFD:	25
RUNCAPVOLTS:	370
STARTCAPMFD:	238
SHIPPING WEIGHT:	18
THERMAL PROTECTION:	AUTOMATIC RESET
BREAKDOWN TORQUE:	50.1
BREAKDOWN TORQUE UOM:	OZFT
LOCKED ROTOR TORQUE:	72.71
LOCKED ROTOR TORQUE UOM:	OZFT
INSULATION CLASS:	B
KVA CODE LETTER:	K
LOCKED ROTOR AMPS:	24.73
NEMA NOMINAL EFFICIENCY:	72.4
FULL LOAD AMPS PRIMARY:	3.8/1.9
SERVICE FACTOR AMPS PRIMARY:	4.6/2.3

VAR	MODEL	CUSTOMER	CAT. NO.	A	B	C	D	HP	VOLTS	SF	AMPS	HZ	RPM	CONN VOLTS	PROT.	DESCRIPTION / REMARKS
001	T55CPJ-1515	USEM	D13CP2P49	9.94	-----	-----	-----	1/3	115/230	1.35	3.8/1.9	60	1725	115	NONE	RESIL. BASE ODP BALL BRG
002	T55JXCRF-1535	USEM	D13CPA2P49	9.94	-----	-----	-----	1/3	115/230	1.35	3.8/1.9	60	1725	115	AUTO	RESIL. BASE ODP BALL BRG
003	T55CGP-1528	USEM	D13CP2Z49	9.907	-----	-----	-----	1/3	115/230 & 110/220	1.35	3.8/1.9	60 & 50	1725 & 1425	115	NONE	N48, ODP, RESILIENT BASE



NIDEC MOTOR CORPORATION 09-Jun-15

MOTOR IS CCW LEAD END, TO REVERSE ROTATION INTERCHANGE RED AND BLACK LEADS

REFER TO S.E.I.M. 24-1

REVISION RECORD FOR: ECO E24256

CHANGED DIMENSION "A" FROM 10.31 FOR 9.907 IN PAGE #1 & #2.

TOLERANCES ON DIMENSIONS (UNLESS OTHERWISE SPECIFIED)

INCHES  
.XX = ± .010  
.XXX = ± .005

mm

ANGLES X° = ±1°

**NIDEC MOTOR CORPORATION**

INFORMATION DISCLOSED ON THIS DOCUMENT IS CONSIDERED PROPRIETARY AND SHALL NOT BE REPRODUCED OR DISCLOSED WITHOUT WRITTEN CONSENT OF NIDEC MOTOR CORPORATION

REVISION DATE:  
**11-NOV-15**

ISSUED BY: M. MEDINA

ENGINEER APPROVED: K. HOLTZSCHER

TITLE  
**CUSTOMER DETAIL DRAWING**

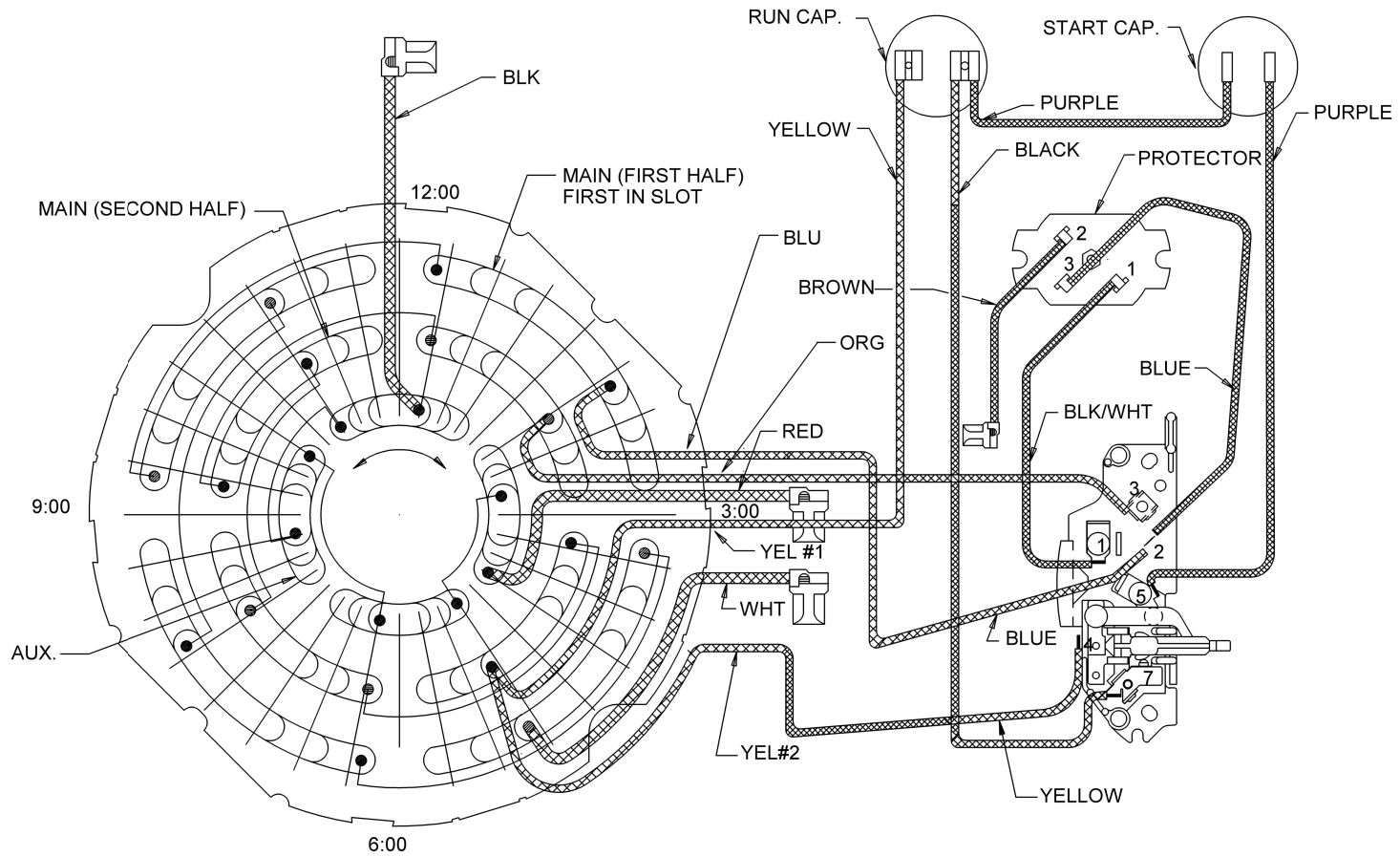
CODE  
**V02**

ITEM NO.  
**803266**

REV  
**D**

SHEET NUMBER  
**1 OF 4**

DWG SIZE  
**B**



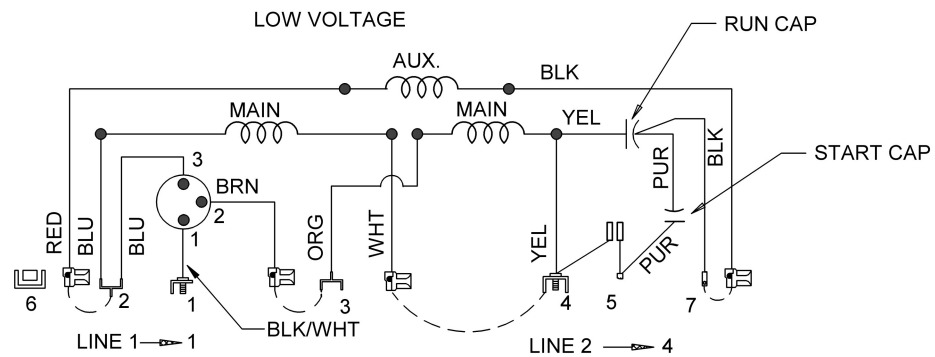
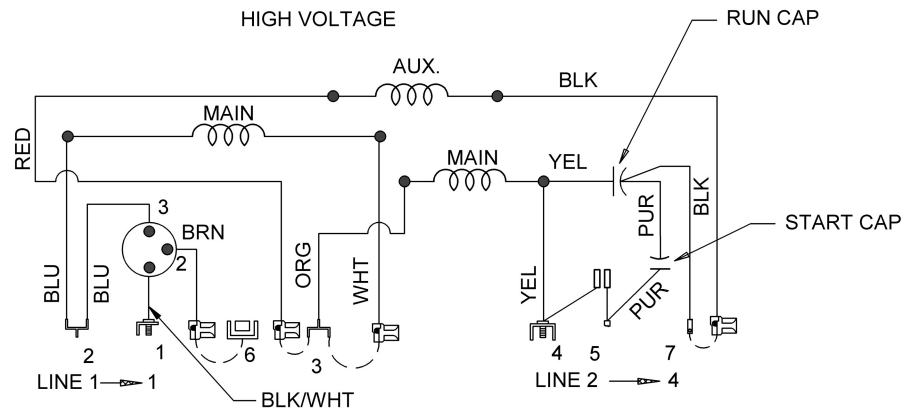
 **REFER TO SEIM 24-1**

REVISION DESCRIPTION FOR: C8396-05 UPDATED BACKGROUND FROM EMERSON TO NIDEC. CONVERTED DRAWING FROM MACRO STATION TO SOLID EDGE MATERIAL:	SCALE	UNITS	TITLE	
	NONE	INCHES	<b>DIAGRAM OF CONNECTIONS</b> ISSUED BY: R. GUZMAN    APPROVED BY: J.I. SALAZAR CODE: D04    DWG NO.: 732190	
	TOLERANCES ON DIMENSIONS (UNLESS OTHERWISE SPECIFIED)			
		INCHES	mm	REVISION DATE
		.XX = ± .01		23-SEP-13
		.XXX = ± .005		REV: A    SHEET NUMBER: 1 OF 2
		ANGLES X° = ±1°		DWG SIZE: B

NIDEC CONFIDENTIAL  
 NIDEC MOTOR CORPORATION 23-Sep-13

MUST BE COMPLIANT TO RoHS DIRECTIVE EU 2002/95/IEC  
 AND REGULATION EC 1907/2006 (REACH) AS AMENDED

SOLIDEDGE



REV  
A

REFER TO SEIM 24-1

REVISION DESCRIPTION FOR: C8396-05 UPDATED BACKGROUND FROM EMERSON TO NIDEC. CONVERTED DRAWING FROM MACRO STATION TO SOLID EDGE MATERIAL:	SCALE	UNITS	TITLE	<b>NIDEC MOTOR CORPORATION</b> REVISION DATE 23-SEP-13
	NONE INCHES		DIAGRAM OF CONNECTIONS	
	TOLERANCES ON DIMENSIONS (UNLESS OTHERWISE SPECIFIED)		ISSUED BY R. GUZMAN	
	INCHES	mm	CODE D04	DWG NO. 732190
	.XX = ± .01 .XXX = ± .005			REV A
	ANGLES X° = ±1°			SHEET NUMBER 2 OF 2
				DWG SIZE B

NIDEC CONFIDENTIAL  
NIDEC MOTOR CORPORATION 23-Sep-13

MUST BE COMPLIANT TO RoHS DIRECTIVE EU 2002/95/EC AND REGULATION EC 1907/2006 (REACH) AS AMENDED

SOLIDEDGE

# General Purpose Single Phase Open Drip Proof (ODP) Resilient Base, Capacitor Start



## APPLICATIONS:

For air compressors, pumps, conveyors, blowers and general industrial equipment.

## FEATURES:

- Class A or B Insulation
- Reversible Rotation
- 40°C Ambient
- 60 Hertz
- Continuous Duty

## Single Speed

HP	RPM	Voltage	Frame	Catalog Number	List	Discount Symbol	SF	"C" Dim. (inches)	Ship Wt. (lbs)	Full Load Amps	Notes
1/6	900	115	48	3700	\$555	DS-3FMP	1.35	8.9	23	4.5	25
1/4	1800	115/230	48	D14CPA2P49	\$341	DS-3FMP	1.35	9.9	18	3.1/1.5	24
	1800	115/230	56	D14CP2P9	\$285	DS-3FMP	1.35	10.3	14	3.1/1.5	25
	1800	115/230	56	D14CPA2P9	\$333	DS-3FMP	1.35	10.3	14	3.1/1.5	24
	1200	115/230	56	D14CPA3P9	\$472	DS-3FMP	1.35	11.8	19	3.70/1.86	24
	1200	115/230	56	D14CPM3P9	\$457	DS-3FMP	1.35	10.8	22	3.70/1.86	23
1/3	3600	115/208-230	56	D13CA1J9	\$281	DS-3FMP	1.35	10.4	19	6/2.9-3.0	24
	1800	115/230	48	D13CP2P49	\$346	DS-3FMP	1.35	9.9	17	3.8/1.9	25
	1800	115/230	48	D13CPA2P49	\$378	DS-3FMP	1.35	9.9	18	3.8/1.9	24
	1800	115/230	56	D13CPA2P9	\$370	DS-3FMP	1.35	10.3	18	3.8/1.9	24
	1800	115/230 & 110/220	48	D13CP2Z49	\$312	DS-3FMP	1.35	10.3	18	3.8/1.9	25
	1200	115/230	56H	D13CP3PH9	\$507	DS-3FMP	1.35	11.3	26	4.4/2.3	25
	1200	115/230	56H	D13CPA3P9	\$525	DS-3FMP	1.35	11.3	26	4.4/2.3	24
	1200	115/230	56H	D13CPM3P9	\$515	DS-3FMP	1.35	11.3	26	4.4/2.3	23
	900	115/230	56	D13C4P9	\$816	DS-3FMP	1.35	12.8	39	8.7/4.3	25
	3600	115/230	48	D12CP1P49	\$227	DS-3FMP	1.25	9.9	19	5.0/2.5	25
1/2	1800	115/230	48	D12CP2P49	\$283	DS-3FMP	1.25	9.9	22	5.0/2.6	25
	1800	115/230	48	D12CPA2P49	\$330	DS-3FMP	1.25	9.9	14	5.0/2.6	24
	1800	115/230	56H	D12CP2PH9	\$360	DS-3FMP	1.25	11.3	14	5.0/2.6	25
	1800	115/230	56H	D12CPA2PH9	\$378	DS-3FMP	1.25	11.3	15	5.0/2.6	24
	1200	115/230	56H	D12CP3PH9	\$590	DS-3FMP	1.25	12.3	36	4.8/2.4	25
	1200	115/230	56H	D12CPA3PH9	\$685	DS-3FMP	1.25	12.3	36	4.8/2.4	24
	3600	115/230	56H	D34CPA1PH9	\$340	DS-3FMP	1.25	11.8	24	7.0/3.6	24
3/4	1800	115/230	56H	D34CP2PH9	\$408	DS-3FMP	1.25	12.3	29	7.0/3.5	25
	1800	115/230	56H	D34CPA2PH9	\$434	DS-3FMP	1.25	12.3	29	7.0/3.5	24
	1800	115/230	56	1660	\$314	DS-3FMP	1.00	10.8	28	11.6/5.8	24
	3600	115/230	56H	D1CP1PH9	\$475	DS-3FMP	1.25	13.3	29	9.3/4.3	25
1	3600	115/230	56H	D1CPA1PH9	\$480	DS-3FMP	1.25	13.0	28	9.3/4.3	24
	1800	115/208-230	56H	D1CPA2JH9	\$644	DS-3FMP	1.15	12.3	31	8.8/4.4-4.4	24
	1800	115/230	56H	D1CP2PH9	\$486	DS-3FMP	1.15	12.0	32	8.8/4.4	25
	1800	115/230	56H	D1CPA2PH9	\$644	DS-3FMP	1.15	12.3	31	8.8/4.4	24
	1800	115/230	56	D1CPA2P9	\$644	DS-3FMP	1.15	12.3	31	8.8/4.4	24
	1200	115/230	56H	D1CPA3PH9	\$878	DS-3FMP	1.15	13.1	45	8.9/4.6	24
	3600	115/230	56H	D32CPA1PH9	\$637	DS-3FMP	1.15	13.3	31	13.3/6.7	24
1 1/2	1800	115/208-230	145T	D32C2J149	\$566	DS-3SP	1.15	13.7	32	19.2/10.0-9.6	25
	1800	115/230	56H	D32CP2PH9	\$622	DS-3F	1.15	13.0	24	13.4/6.7	25
	1800	115/230	56H	D32CPA2PH9	\$787	DS-3FMP	1.15	12.3	41	13.4/6.7	24
	3600	115/230	56H	D2CPA1PH9	\$700	DS-3FMP	1.15	13.8	41	17.3/8.7	24
2	1800	115/230	56H	D2CP2PH9	\$765	DS-3FMP	1.15	13.5	46	17.0/8.5	25
	1800	115/230	56H	D2CPA2PH9	\$995	DS-3FMP	1.15	13.5	46	17.0/8.5	24

## Two Speed

HP	RPM	Voltage	Frame	Catalog Number	List	Discount Symbol	SF	"C" Dim. (inches)	Ship Wt. (lbs)	Full Load Amps	Notes
3/4 / 1/4	1800	115 V	56	6311	\$448	DS-3FMP	1.25	10.8	26	8.9/6.1	25
1 / 1/3	1800	208-230 V	56	6316	\$501	DS-3FMP	1.15	11.8	32	7.4-7.4/4.0-4.3	25

Note 23 Manual Reset Thermal Protector Overload  
Note 24 Automatic Reset Thermal Protector Overload

Note 25 Non-protected